

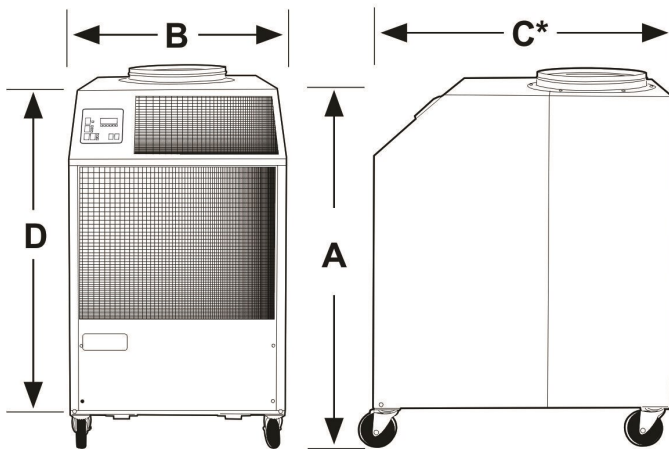
# SPECIFICATIONS



# 20AC

MODEL: 20AC	1211	1811	2412	3612	3632	3634	6012	6032	6034
Cooling Capacity <sup>1</sup>	11,800	16,800	24,020	36,050	36,050	36,050	60,050	60,050	60,050
Voltage (V/Phase) at 60Hz	115/1		208-230/1	208-230/1	208-230/3	460/3	208-230/1	208-230/3	460/3
Amps <sup>6</sup>	10.4	14.1	14.9	18.1	17.2	8.7	32.0	20.4	14.8
Watts <sup>6</sup>	1180	1670	2700	3620	3620	3620	6000	6000	6000
In Rush Current (Amps)	60	75	68	113	93	60	178	162	87
Plug Type	5-15P	5-20P	6-20P	6-30P	L15-30P	L16-20P	6-50P	L15-30P	L16-20P
EER <sup>3</sup>	10.0	10.0	8.9	10.0	10.0	10.0	10.0	10.0	10.0
Compressor HP	1	1 1/2	2	3	3	3	5	5	5
Compressor RLA	9.5	12.3	10.5	13.6	8.8	5.0	27.6	18.1	9.0
Compressor LRA	50	63	48	83	77	35	158	137	62
Evap CFM <sup>4</sup>	400	600	810	1200	1200	1200	1950	1950	1950
Evap Motor HP	1/8	1/8	1/3	1/3	1/3	1/3	1	1	1
Evap Motor Watts	180	210	330	375	375	375	550	550	550
Condenser CFM	580	930	1010	1390	1390	1390	2200	2200	2200
Condenser Motor HP	1/8	1/8	1/3	1	1	1	1	1	1
Condenser Motor Watts	200	280	350	460	460	460	750	750	750
Condensate	5 Gallon Condensate Tank - STANDARD (Pump Optional)						Pump -STANDARD (20 ft. Lift)		
Sound Level <sup>5</sup>	54	60	65	69			78		
R-410A Charge Oz.	18	40	37	66			80		
(A) Height with Casters (in.)	36 1/2	45 1/2		50-1/4			52 1/4		
(B) Width (in.)	20	24		28					
(C) Depth (in.)	25	30		35			39		
(D) Height w/o Casters (in.)	32 1/2	40 1/2		45			46		
Net Weight (lb.)	180	260	260	365		380	485	485	515
Shipping Weight (lb.)	200	285	285	405		420	525	525	555
Shipping Volume (cu. ft.)	19	28		40			48		

## SPECIFICATIONS SUBJECT TO CHANGE WITHOUT NOTICE



- Cooling Capacity is total BTUH at 80°DB/67°WB return air, 95°F Outdoor at high fan speed
- Time Delay fuses/circuit breakers are recommended
- EER is determined at high fan speed, with condenser discharge air ducted into another area
- CFM with free discharge
- Sound Pressure, dB at 5 feet, commercial operation
- Amps & Watts at 208 Volts



**Ambient Operating Range 65° to 105°**

May operate down to 55° if equipped with Hot Gas Bypass (Factory installed)

**AVAILABLE OPTIONS - SPECIAL ORDER ONLY - CONSULT FACTORY\*\***

Hot Gas Bypass  
High Performance Blowers  
50 Hz Models

Coated Coils  
Special Filters  
Special Voltages

\*\* some options are available as Non-UL Listed Product, Only

**NOT APPROVED FOR OUTDOOR USE**

\* Condenser Return Air Plenums  
2DCP-1 and 2DCP-2 add 13 inches to Dimension "C"  
DCP-5 adds 17 inches to Dimension "C"

